

# TAMAO KITS

**TMK301**

**FERRARI F2001**

ITALIAN G.P. 2001

Ferrari  
OFFICIAL LICENSED PRODUCT

Parts list diagram showing numbered parts for the Ferrari F2001 kit.

Parts include: 100, 77, 76, 56, 57, 39, 35, 36, 94, 23, 25, 24, 95, 26, 46, 47, 40, 49, 48, 28, 112, 69, 107, 4, 5, 8, 9, 34, 82, 38, 27, 91, 50, 51, 98, 42, 81, 83, 8, 73, 9.

Assembly instructions: Use hammer and mallet to attach parts A, B, and C.

Parts to DON'T USE: 2, 6, 7, 3, 114, 113, 115, 116.

Part 99: TAMAO KITS F2001 COO.000

Part 14: DIMENSIONAL DRAWING

### HOW TO DRILL

Drilling instructions for various parts:

- Part 1:  $\varnothing 0.8\text{mm}$  Schumacher
- Part 2:  $\varnothing 1\text{mm}$
- Part 3:  $\varnothing 0.9\text{mm}$
- Part 4:  $\varnothing 0.5\text{mm}$
- Part 5:  $\varnothing 0.5\text{mm}$
- Part 6:  $\varnothing 0.5\text{mm}$
- Part 7:  $\varnothing 0.5\text{mm}$
- Part 8:  $\varnothing 0.5\text{mm}$
- Part 9:  $\varnothing 0.5\text{mm}$
- Part 10:  $\varnothing 0.5\text{mm}$
- Part 11:  $\varnothing 0.5\text{mm}$
- Part 12:  $\varnothing 0.5\text{mm}$
- Part 13:  $\varnothing 0.5\text{mm}$
- Part 14:  $\varnothing 0.5\text{mm}$ ,  $\varnothing 0.5\text{mm}$
- Part 15:  $\varnothing 0.5\text{mm}$ ,  $\varnothing 0.5\text{mm}$
- Part 16:  $\varnothing 0.5\text{mm}$ ,  $\varnothing 0.5\text{mm}$
- Part 17:  $\varnothing 0.6\text{mm}$ ,  $\varnothing 0.6\text{mm}$
- Part 18:  $\varnothing 0.6\text{mm}$ ,  $\varnothing 0.6\text{mm}$
- Part 19:  $\varnothing 0.6\text{mm}$ ,  $\varnothing 0.6\text{mm}$
- Part 20:  $\varnothing 0.8\text{mm}$ ,  $\varnothing 0.5\text{mm}$ ,  $\varnothing 0.5\text{mm}$ ,  $\varnothing 0.5\text{mm}$
- Part 21:  $\varnothing 0.8\text{mm}$ ,  $\varnothing 0.5\text{mm}$ ,  $\varnothing 0.5\text{mm}$
- Part 22:  $\varnothing 0.5\text{mm}$ ,  $\varnothing 0.5\text{mm}$
- Part 23:  $\varnothing 0.5\text{mm}$ ,  $\varnothing 0.5\text{mm}$
- Part 24:  $\varnothing 0.5\text{mm}$ ,  $\varnothing 0.5\text{mm}$

### COLOUR CONVERSION

WHITE TAMIYA X-2	METALLIC BLUE TAMIYA X-13	FLAT RED TAMIYA X-7	SILVER TAMIYA X-11	SEMI GLOSS BLACK TAMIYA X-18	ALUMINIUM TAMIYA XF16	METALLIC RED HUMBROL 51

**1**

Assembly instructions for step 1:

- Parts 1-14
- TO BEND: 9, 7, 6, 2-3, 10, 11, 13, 14
- GLUE AND STICK BEFORE PAINTING
- \* TO BEND: PLEGARE, PLEGER, BIEGEN
- \* GLUE AND STICK BEFORE PAINTING: \* INCOLLARE E STICCARE PRIMA DELLA VERNICIATURA. COLLER ET MASTOQUER AVANT DE VERNIR. KLEBEN UND VERSTÜCKEN VOR DER LACKIERUNG.

**2**

Painting instructions for step 2:

- SEMI GLOSS BLACK: NERO SATINATO, SEDENGLANZ SCHWARZ, NOIR SATINE
- BRIGHT RED: ROSSO ROSSO, ROY, ROT
- SILVER: ARGENTO, ARGENTE, SILBER
- SEMI GLOSS BLACK

**3**

Assembly instructions for step 3:

- Parts 15-17, 03, 04, 05, 06
- SEMI GLOSS BLACK
- SILVER: ARGENTO, ARGENTE, SILBER
- SEMI GLOSS BLACK

**4**

Assembly instructions for step 4:

- Parts 18, 19, 20, 21, 22, 23-24, 25-26, 27-28, 29-30, 31-32
- TO BEND: 18, 19-20, 21-22, 23-24
- TAMIYA COLOR X-11:1+X-12:1
- TAMIYA COLOR X-10:1+XF-1:1

**4**

Painting instructions for step 4:

- SEMI GLOSS BLACK: NERO SATINATO, SEDENGLANZ SCHWARZ, NOIR SATINE
- SILVER: ARGENTO, ARGENTE, SILBER
- SEMI GLOSS BLACK

**5**

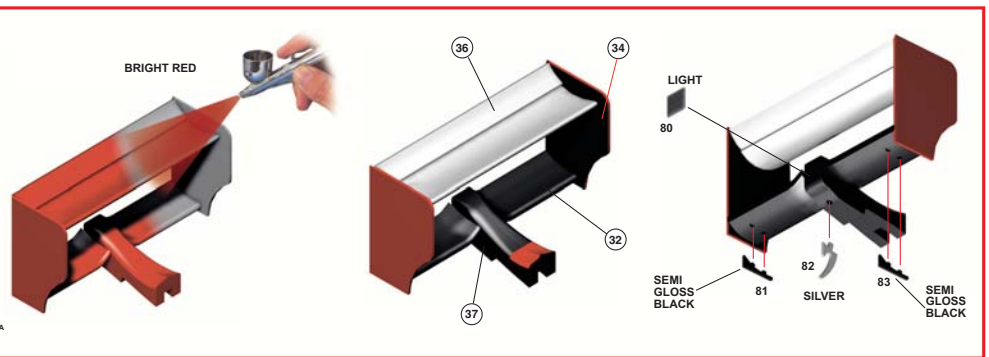
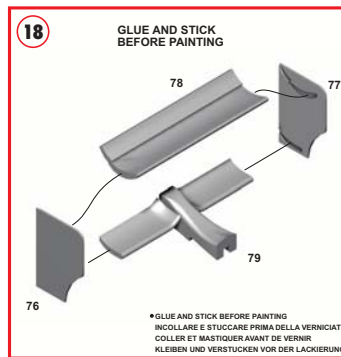
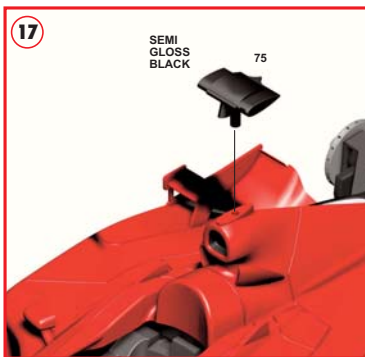
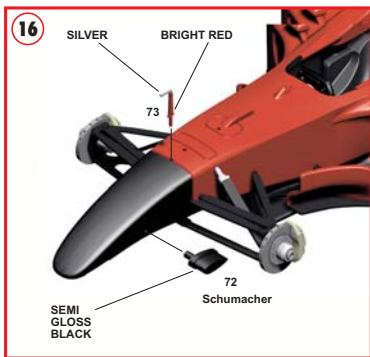
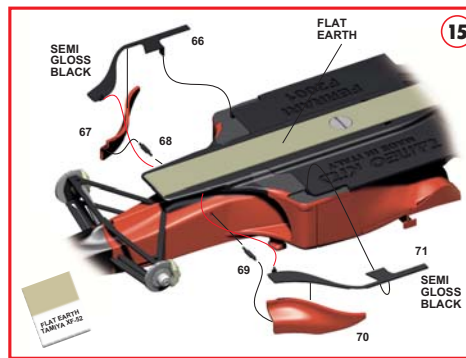
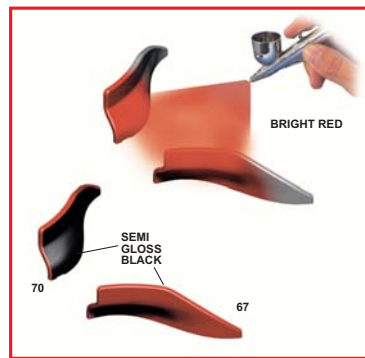
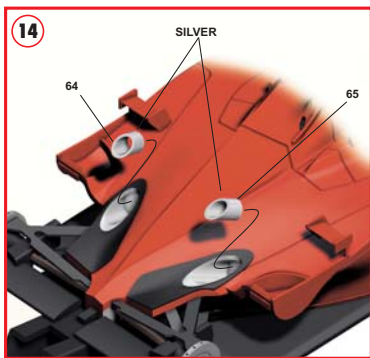
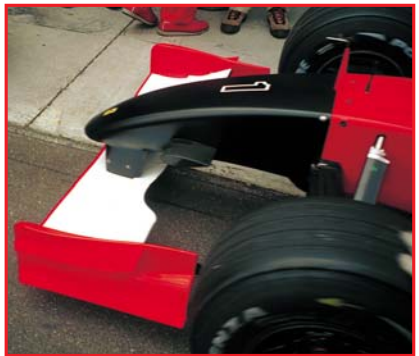
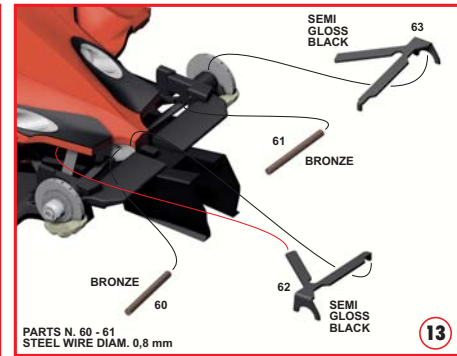
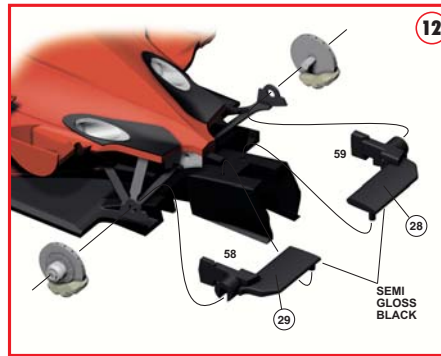
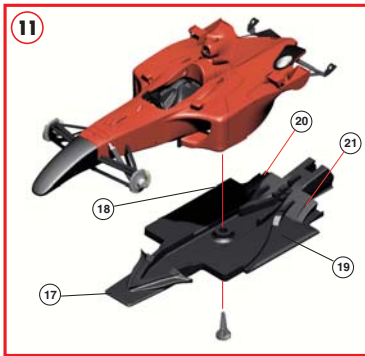
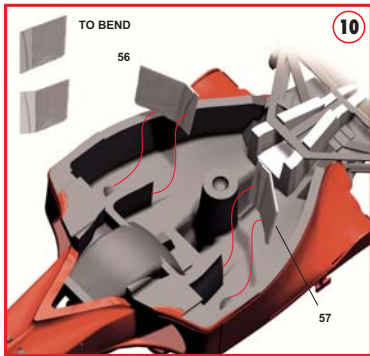
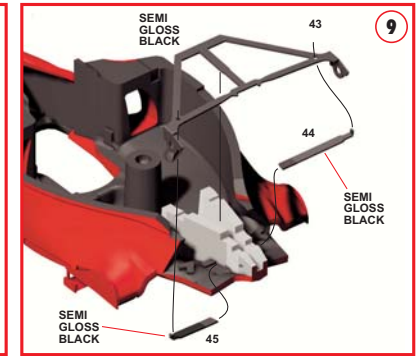
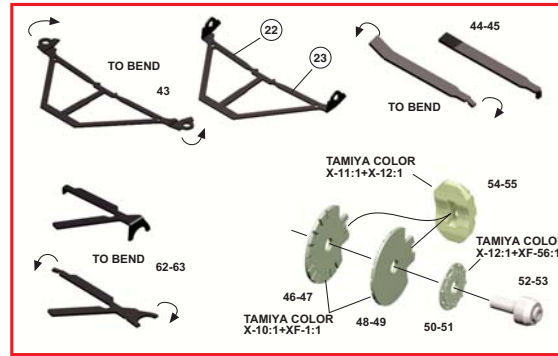
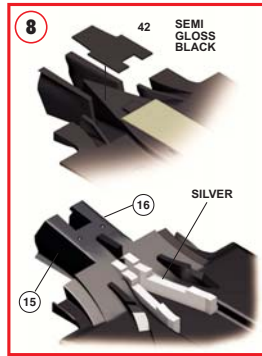
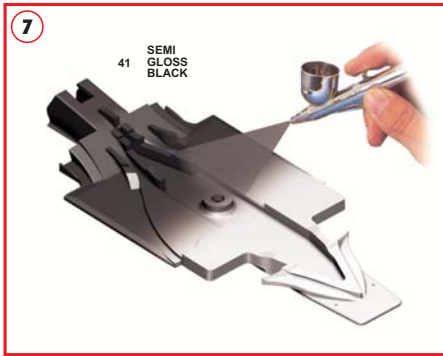
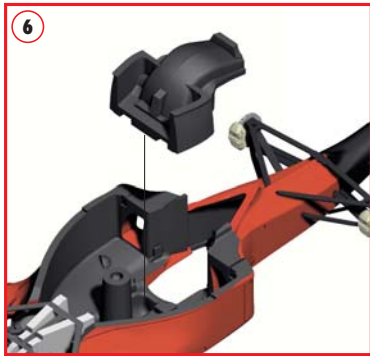
Assembly instructions for step 5:

- Parts 33-40, 30, 31, 32, 34, 35, 36, 37, 38, 39
- FLAT RED: ROSSO OPACO, ROUGE MAT, MATT ROT
- SEMI GLOSS BLACK

**5**

Assembly instructions for step 5:

- Parts 33-40, 30, 31, 32, 34, 35, 36, 37, 38, 39
- SEMI GLOSS BLACK



**19** TO BEND

GLUE AND STICK BEFORE PAINTING

\*GLUE AND STICK BEFORE PAINTING  
 \*COLLARE E STUCARE PRIMA DELLA VERNICIATURA  
 \*COLLER ET MASTOIJER AVANT DE VERNIR  
 \*KLEBEN UND VERSTÜCKEN VOR DER LACKIERUNG

BRIGHT RED

84-86

84

85

86

87-88

TO BEND

SEMI GLOSS BLACK

87

88

SEMI GLOSS BLACK



SEMI GLOSS BLACK

90 NYLON WIRE

96 SILVER

95 METALLIC BLUE

89

91 METALLIC BLUE

92 SILVER

97 SILVER

98 METALLIC RED

93 SILVER

94 METALLIC RED

99

57

58

59

60

**20**

100-101

102-103

104-105

106-107

108-109

110-111

**ITALIAN G.P. 2001**

1 - M. Schumacher

2 - R. Barrichello

4th

2nd

24

47

53

63

10

12

14

50

52

11

09

13

25

46

41

42 Only for Barrichello

43

44

40

61

55

54

54

55

56

**21**

35

33

TO BEND

SEMI GLOSS BLACK

112

38

39

**22**

**23**

TO BEND

113-114

SEMI GLOSS BLACK

115-116





**TAMEO KITS** srl

Via Valle, 111 - P.O. Box 61  
17022 BORGIO VEREZZI SV ITALY  
Tel. 39 019 - 615.250 Fax. 39 019 - 615.310

website [www.tameokits.com](http://www.tameokits.com)  
e-mail [sales@tameokits.com](mailto:sales@tameokits.com)  
e-mail [technical@tameokits.com](mailto:technical@tameokits.com)

Made in Italy. Collector 1/43 Scale Models. Vietata la vendita ai minori di 14 anni. Nocivo per ingestione. Conservare fuori dalla portata dei bambini. Tameo Kits declina ogni responsabilità per un uso improprio del prodotto.

Made in Italy. Collector 1/43 Scale Models. Not for sale to persons under 14 years of age. Dangerous if swallowed. Keep out of reach of children. Tameo Kits not held responsible for any damage or injury resulting from improper use of the product.

Made in Italy. Collector 1/43 Scale Models. Vente interdite aux enfants de moins de 14 ans. Dangereux si avalé. Conserver hors de la portée des enfants. Tameo Kits declina toute responsabilité dans le cas de dommages résultant de l'usage non approprié du produit.

Made in Italy. Collector 1/43 Scale Models. Verkauf an jugendliche unter 14 Jahren verboten. Schädlich bei Einnahme. Von Kindern fernhalten. Tameo Kits lehnt jede Verantwortung bei unkorrektem Gebrauch seines Produktes ab.

Hecho en Italia. Colección de modelos a escala 1/43. Prohibida la venta a menores de 14 años. No comestible. Mantener fuera del alcance e de los niños. Tameo Kits no se hace responsable de los daños causados por el uso incorrecto de este producto.